



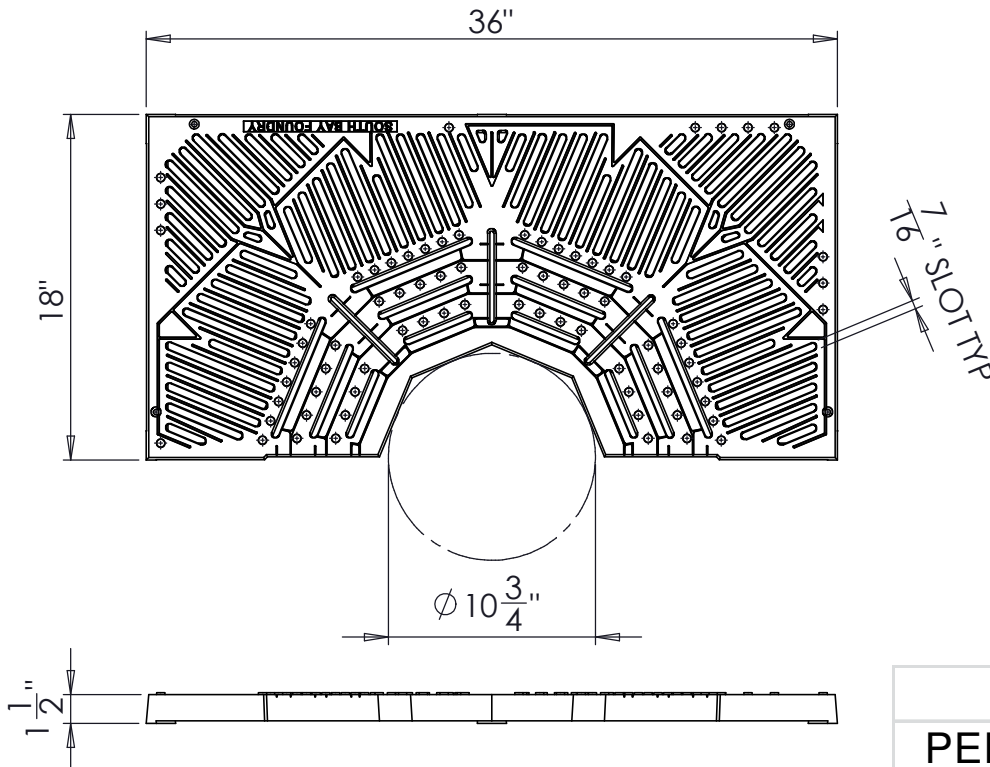
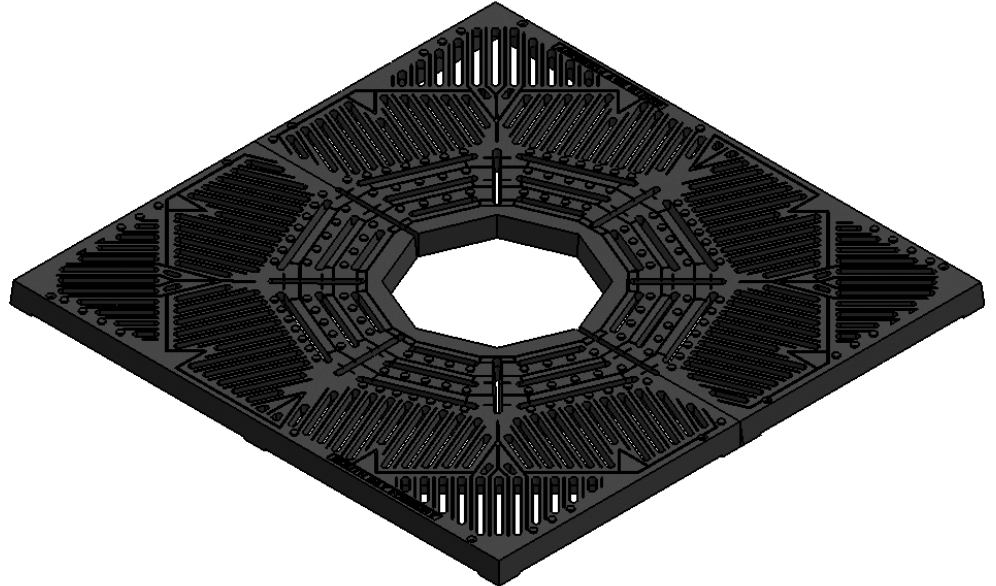
# South Bay Foundry

WWW.SOUTHBAYFOUNDRY.COM

PHONE: (619) 956-2780 FAX: (619) 956-2788

## D2736-1.5SQ

36"x36" AMR STYLE TREE GRATE



WEIGHT	
PER SET	224 LB

### GENERAL INFORMATION

- \*MATERIAL: CAST IRON, CUCTILE IRON, OR ALUMINUM
- \*FINISHES AVAILABLE: BARE, PAINTED, POWDER COATED, OR SHARK GRIP
- \*APPROXIMATE TREE OPENING:  $\phi 11"$ ,  $\phi 15"$ ,  $\phi 18"$ ,  $\phi 21"$

### APPROVED

BY:

TITLE:

AGENCY:

DATE:

6/6/2013