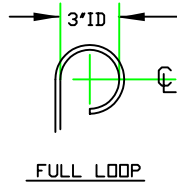
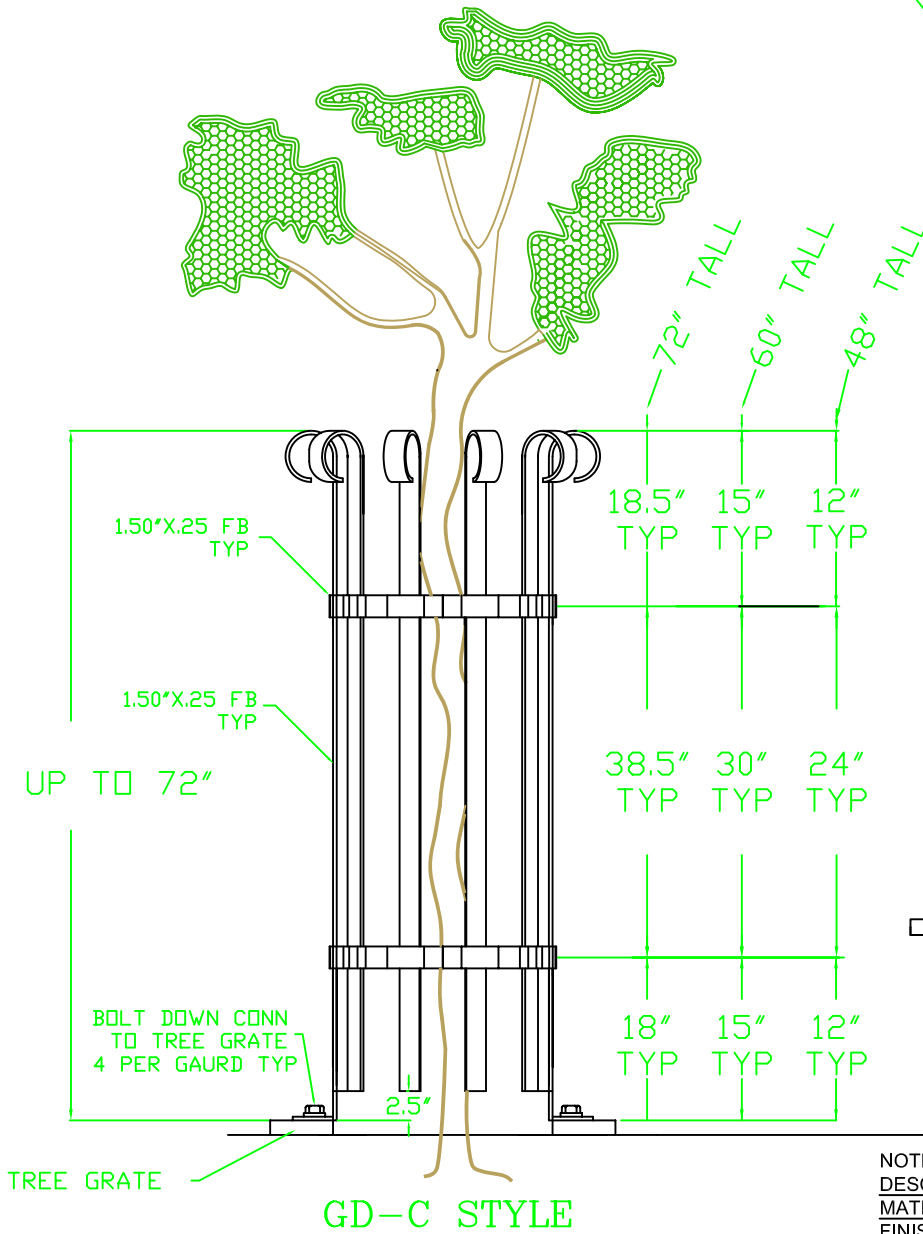
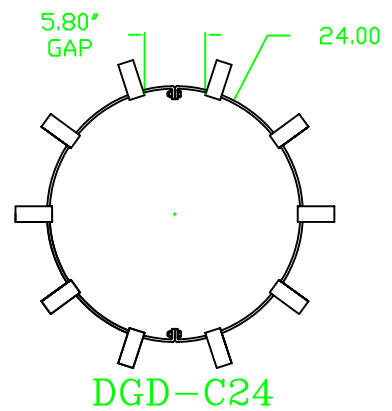
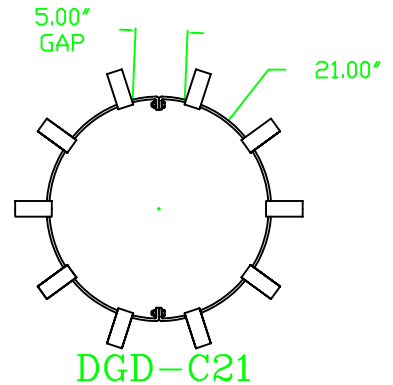
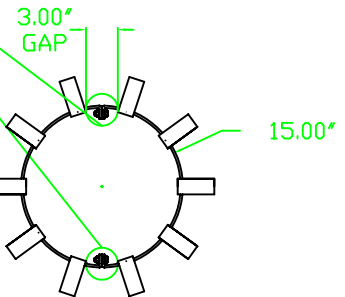
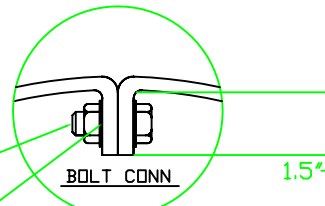


REV:	DESCRIPTION:	APP:	DATE:



1/2" BOLT/
WASHER/NUT
9/16" Ø



NOTES:
DESCRIPTION: STEEL TREE GAURD
MATERIAL: ASTM A 36 STEEL.
FINISH: CAN BE FINISHED PER CUSTOMERS SPECIFICATIONS.

PRODUCTION APPROVAL		NOMENCLATURE	TOLERANCES
APP STATUS	DATE	PROCESS: FAB	UNITS:
		MATERIAL: A 36 ST	.XX=
APPROVED BY:		FINISH: HOT DIP GALV	.XXX=
		WEIGHT: 88 LBS + /	ANGLES=



SOUTH BAY FOUNDRY
9444 ABRAHAM SANTEE, CA 92071, USA.

TITLE: TREE GUARD DTG-C STYLE	I.D.# DTG-C	DATE: 01/06/03	SHEET: 1 OF 1
-------------------------------	-------------	----------------	---------------