

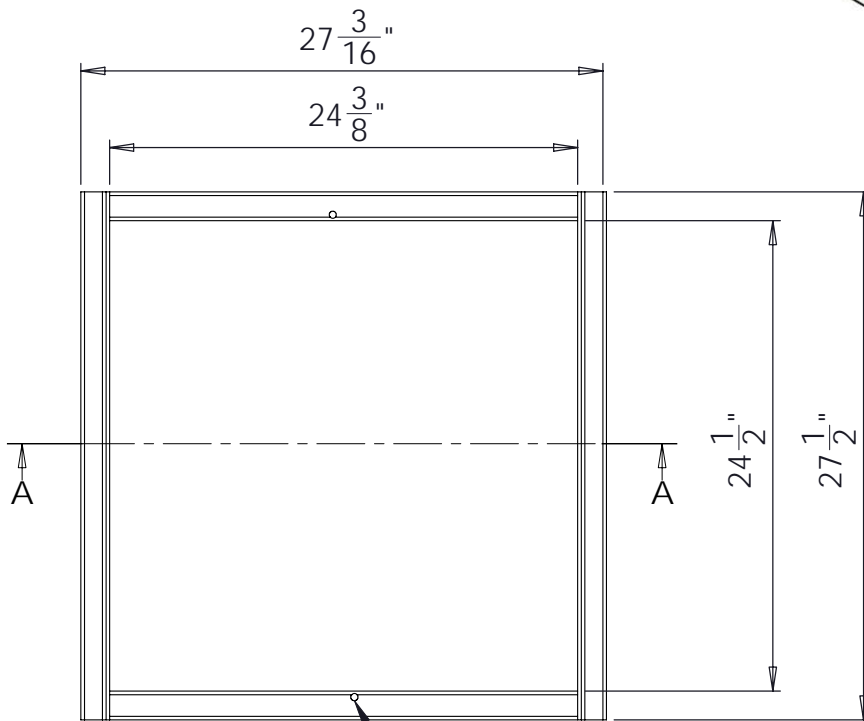
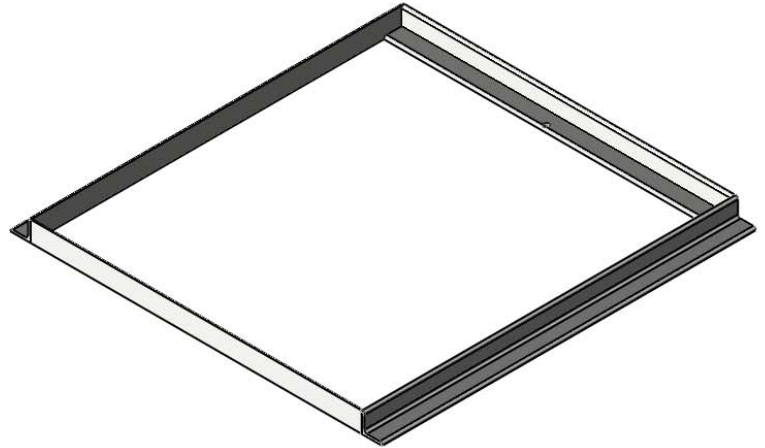


South Bay Foundry

WWW.SOUTHBAYFOUNDRY.COM
PHONE: (619) 956-2780 FAX: (619) 956-2788

E1213G

24x24 FRAME
NON TRAFFIC



Ø 3/8" HOLE
TYP OF 2



GENERAL INFORMATION

*MATERIAL: STEEL ASTM A36
*FINISH: HOT DIP GALVANIZED ASTM A123

APPROVED

BY:

TITLE:

AGENCY:

DATE:

4/9/2012