



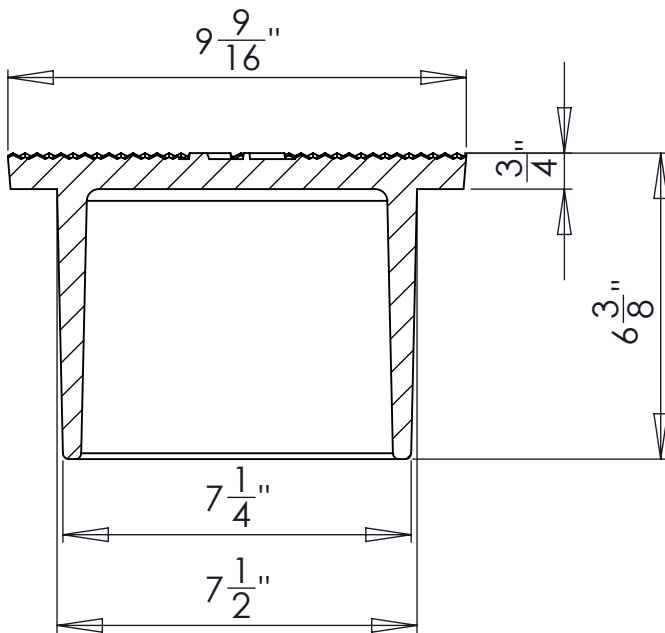
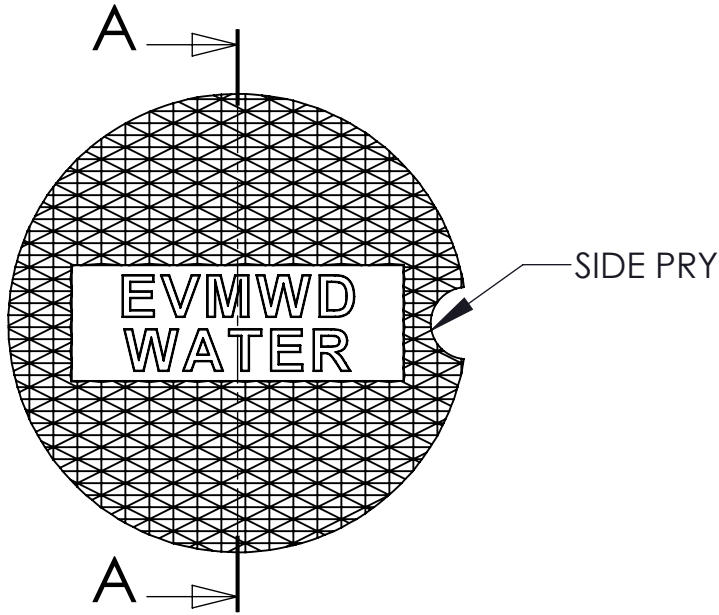
# South Bay Foundry

WWW.SOUTHBAYFOUNDRY.COM

PHONE: (619) 956-2780 FAX: (619) 956-2788

## 8" GATE CAP

EVMWD WATER  
B6148



<b>WEIGHT</b>
22 LB

### SECTION A-A

B6148

#### GENERAL INFORMATION

- \*MATERIALS CONFORM TO ASTM A48 CLASS 35B
- \*CASTINGS SHALL BE DIPPED IN BLACK BITUMINOUS PAINT
- \*MEETS H-20 WHEEL LOADING

APPROVED

BY:

TITLE:

AGENCY:

DATE: