



**South Bay Foundry**

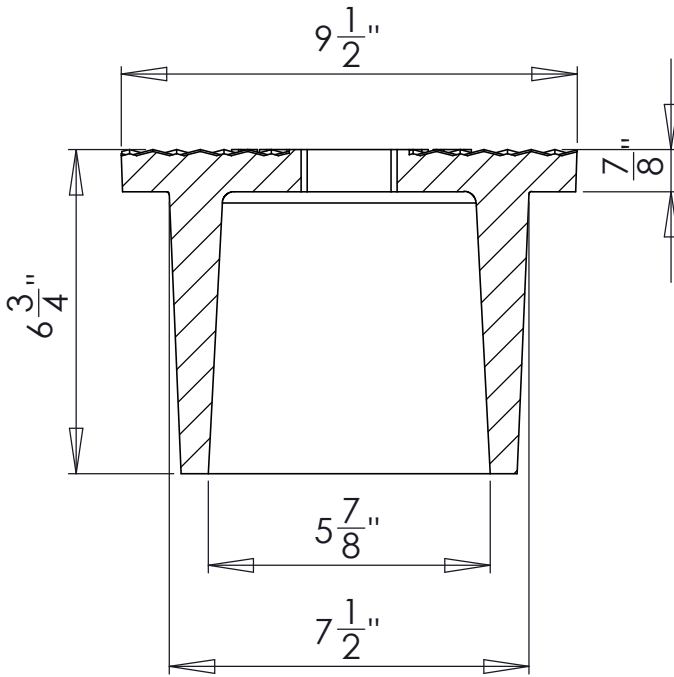
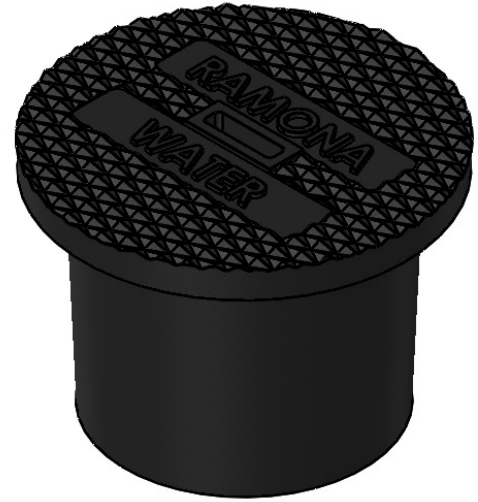
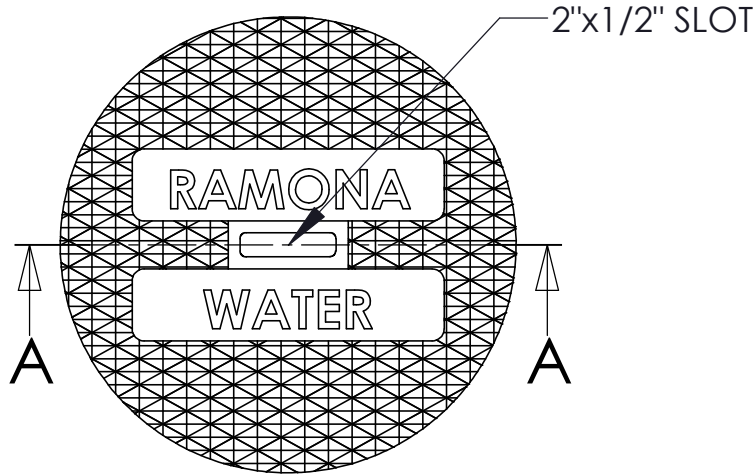
WWW.SOUTHBAYFOUNDRY.COM

PHONE: (619) 956-2780 FAX: (619) 956-2788

**SBF 1200 LID**

RAMONA WATER

B6232



**WEIGHT**

**48 LB**

## SECTION A-A

### GENERAL INFORMATION

- \*MATERIALS CONFORM TO ASTM A48 CLASS 35B
- \*CASTINGS SHALL BE DIPPED IN BLACK BITUMINOUS PAINT
- \*MEETS H-20 WHEEL LOADING
- \*FINISHED PRODUCT SHALL FIT INSIDE 8" PVC CLASS 200 PIPE (0.690" WALL)

REVISION 05/23/12: CHANGED SKIRT SEAT DIMENSION TO 7-1/2"

DRAWN

BY: T SMITH

DATE: 01/05/11

REV: 05/23/12