



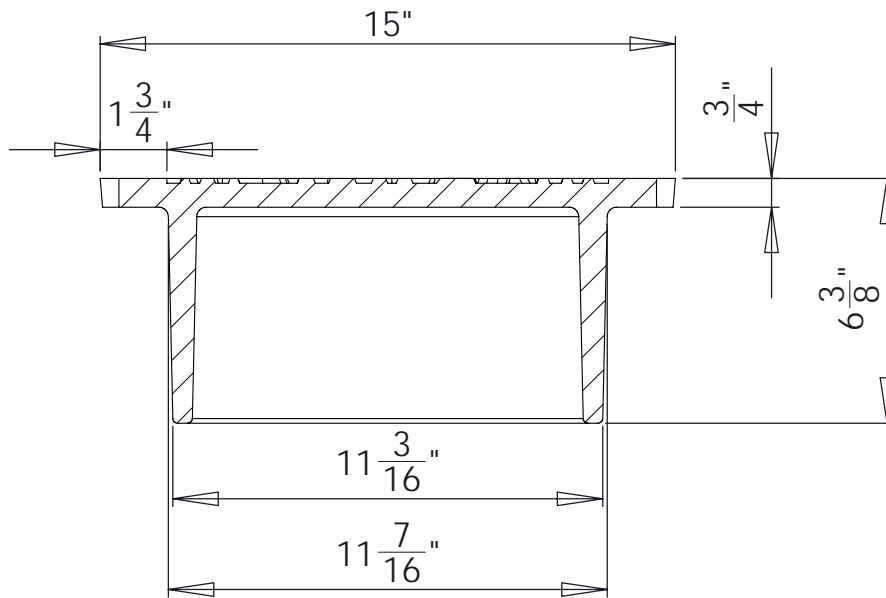
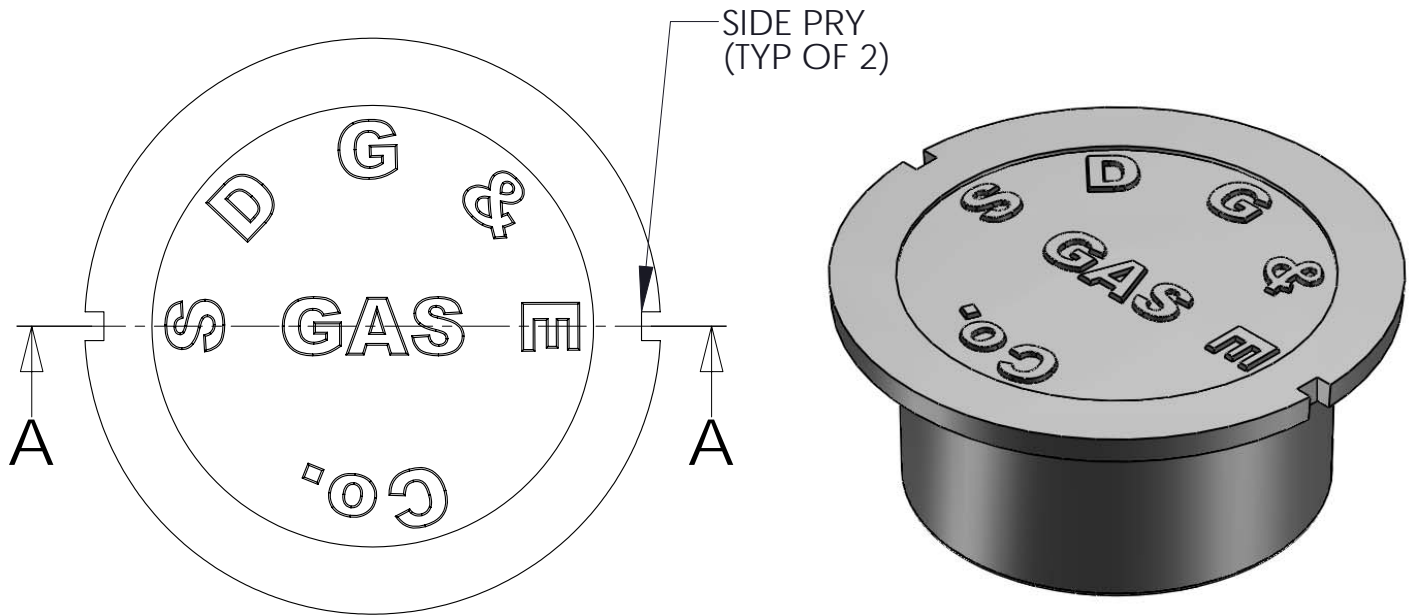
# South Bay Foundry

WWW.SOUTHBAYFOUNDRY.COM

PHONE: (619) 956-2780 FAX: (619) 956-2788

## SBF 12" GATE CAP

SDG&E  
GAS Co.



### SECTION A-A

<b>WEIGHT</b>
40 LB

#### GENERAL INFORMATION

- \*MATERIALS CONFORM TO ASTM A48 CLASS 30B
- \*MEETS H-20 WHEEL LOADING
- \*CASTINGS SHALL BE DIPPED IN BLACK BITUMINOUS PAINT

APPROVED

BY:

TITLE:

AGENCY:

DATE: