



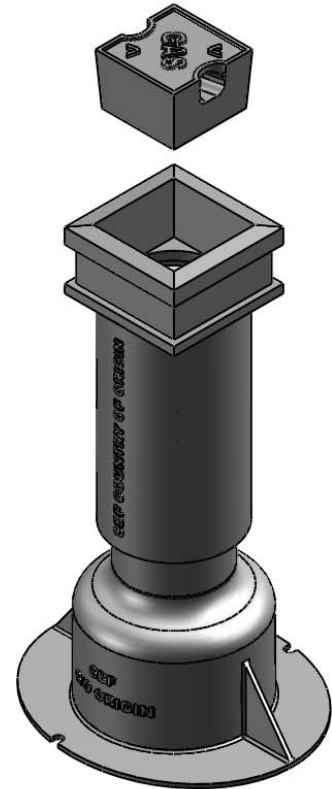
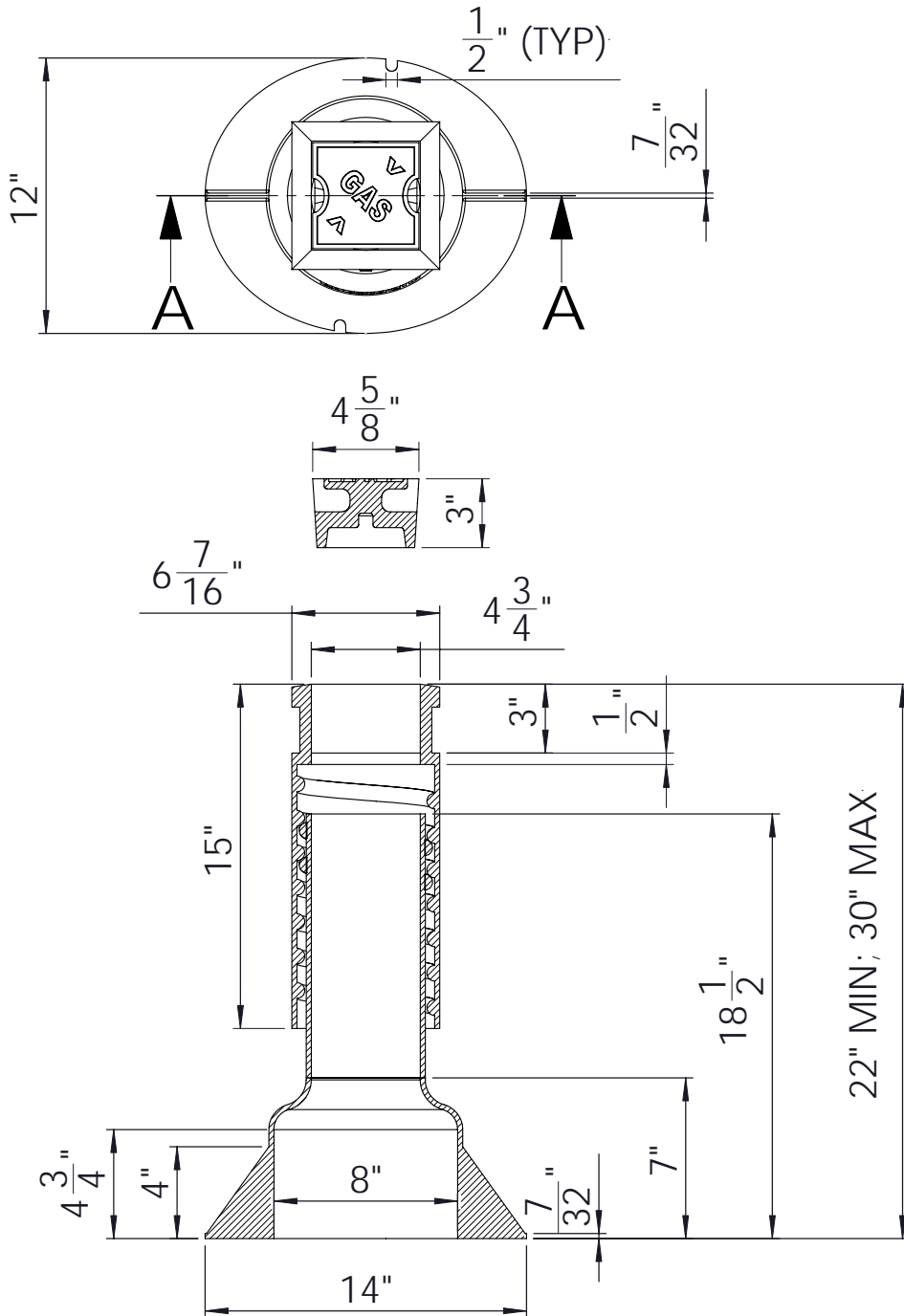
South Bay Foundry

WWW.SOUTHBAYFOUNDRY.COM

PHONE: (619) 956-2780 FAX: (619) 956-2788

CV 32 ASSEMBLY GAS

A8030 BASE
A8031 EXTENSION
A8032 LID MARKED "GAS"



SET WEIGHT	
BASE	28 LB
EXTENSION	30 LB
LID	10 LB
TOTAL	68 LB

SECTION A-A

GENERAL INFORMATION

*MATERIALS CONFORM TO ASTM A48 CLASS 30B
*MACHINED FOR REMOVAL OF BURRS

APPROVED

BY:

TITLE:

AGENCY:

DATE: