



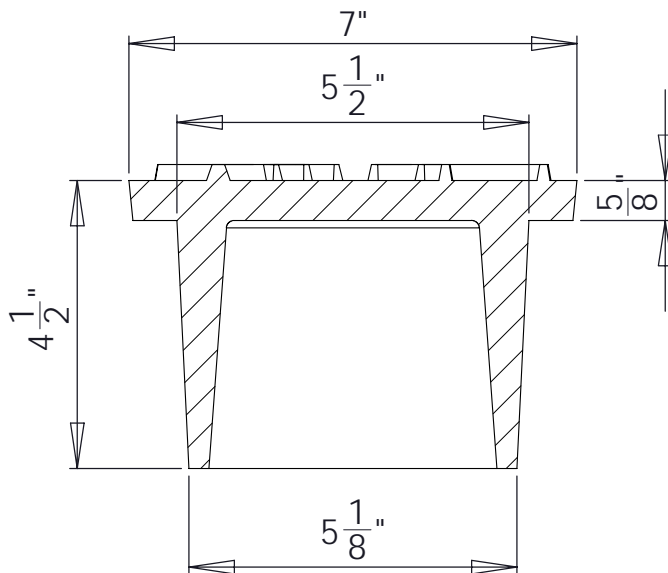
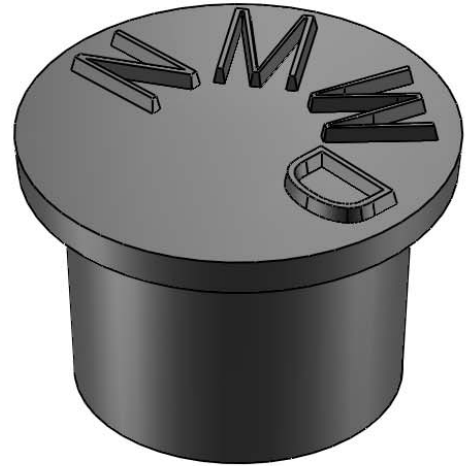
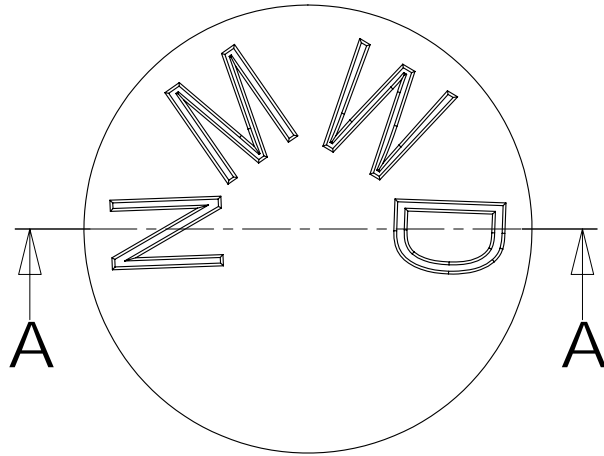
# South Bay Foundry

WWW.SOUTHBAYFOUNDRY.COM

PHONE: (619) 956-2780 FAX: (619) 956-2788

## 5-1/2" GATE CAP

NMWD  
B6010



### SECTION A-A

**WEIGHT**  
15 LB

#### GENERAL INFORMATION

\*MATERIAL: GREY CAST IRON ASTM A48 CLASS 30B  
\*FINISH: DIPPED IN BLACK BITUMINOUS PAINT

#### APPROVED

BY:

TITLE:

AGENCY:

DATE: