



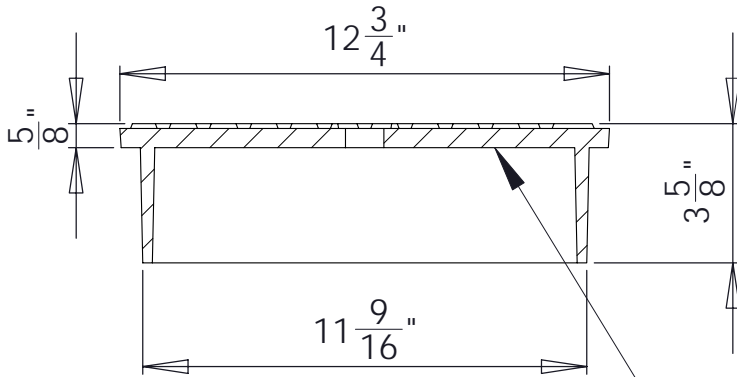
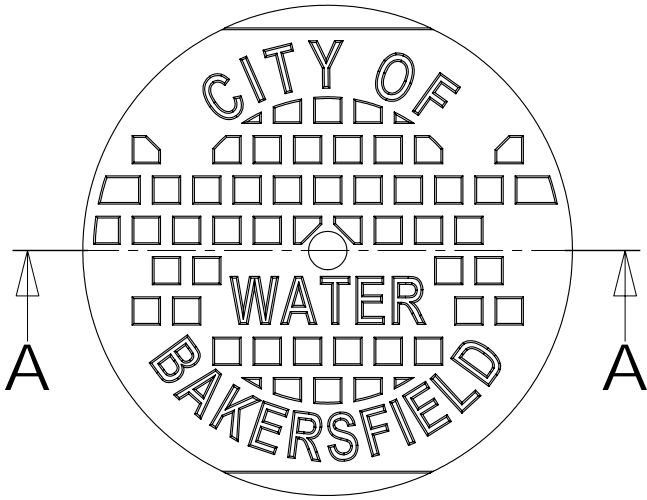
# South Bay Foundry

WWW.SOUTHBAYFOUNDRY.COM

PHONE: (619) 956-2780 FAX: (619) 956-2788

## SBF B6503

12" COVER  
CITY OF BAKERSFIELD  
6017



**WEIGHT**  
20.5 LB

MARKED:  
B6503  
6017

### SECTION A-A

#### GENERAL INFORMATION

- \*MATERIAL: GREY CAST IRON ASTM A48 CLASS 35B
- \*FINISH: DIPPED IN BLACK BITUMINOUS PAINT
- \*MEETS H-20 WHEEL LOAD

#### APPROVED

BY:

TITLE:

AGENCY:

DATE: