



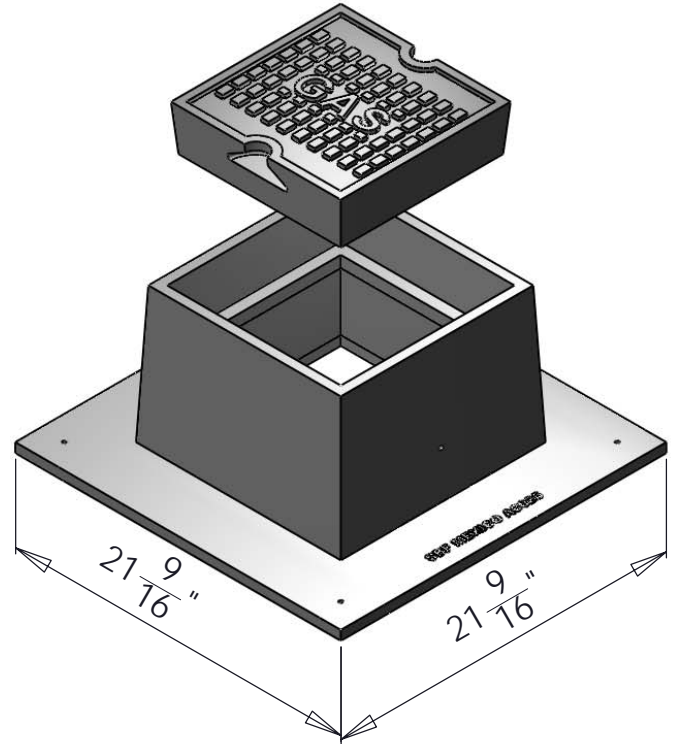
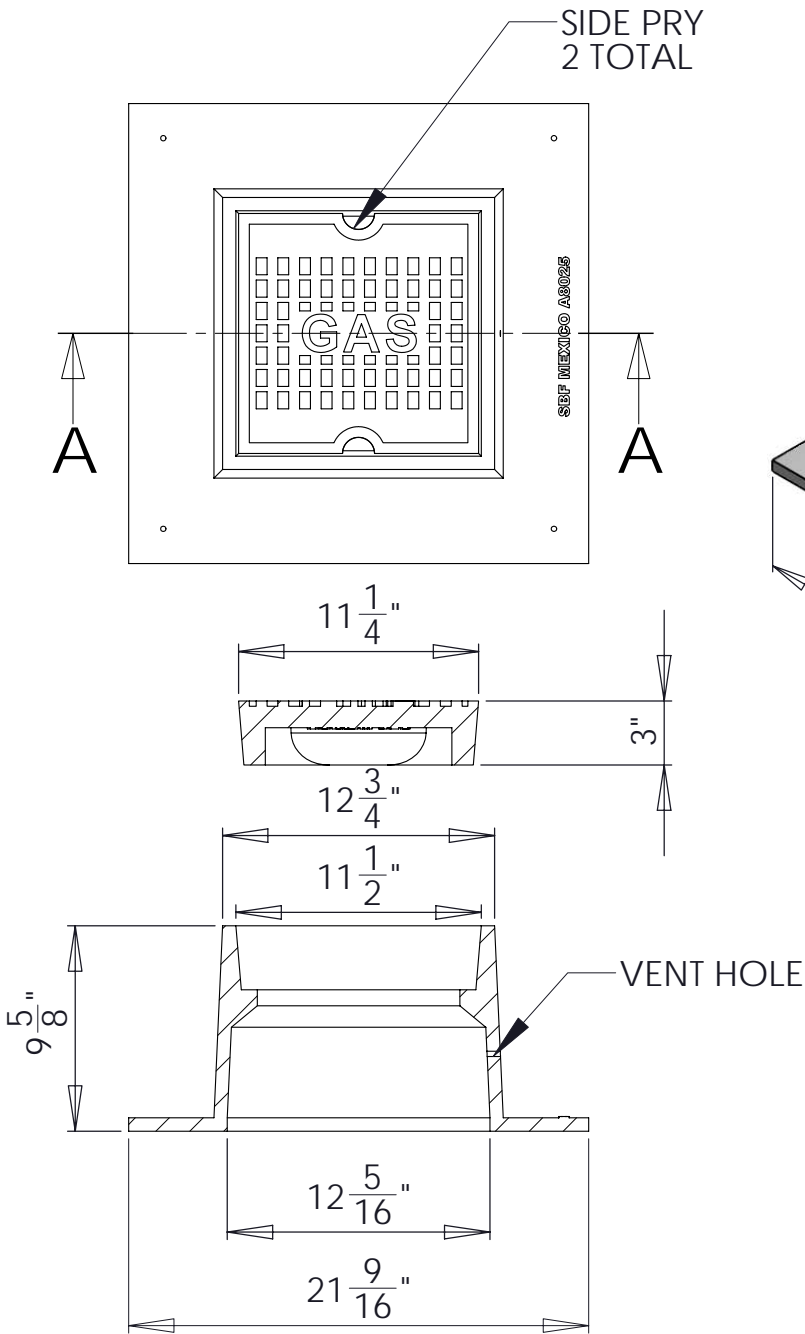
South Bay Foundry

WWW.SOUTHBAYFOUNDRY.COM

PHONE: (619) 956-2780 FAX: (619) 956-2788

GAS VALVE BOX

A8025 FRAME
A8026 COVER



SET WEIGHT	
FRAME	148 LB
COVER	60 LB
TOTAL	208 LB

SECTION A-A

GENERAL INFORMATION

- *MATERIALS CONFORM TO ASTM A48-64 CLASS 25B
- *BEARING SURFACES MACHINED FOR CLOSE, QUIET FIT AND REMOVAL OF BURRS FROM ALL EDGES
- *MANUFACTURER'S LABEL SHALL BE MARKED ON BOTTOM SIDE OF COVER

APPROVED

BY:

TITLE:

AGENCY:

DATE: