



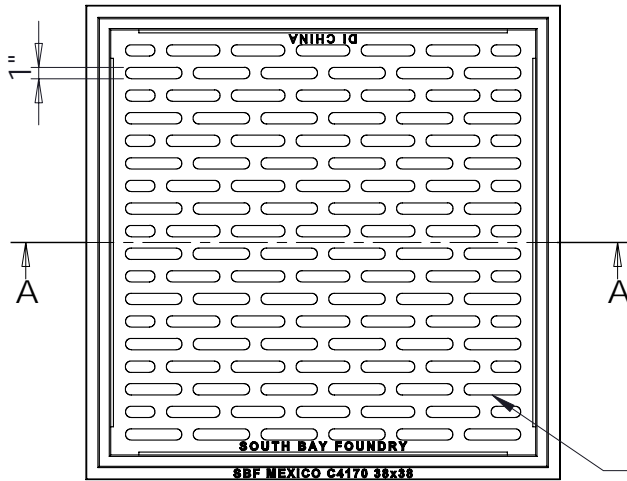
South Bay Foundry

WWW.SOUTHBAYFOUNDRY.COM

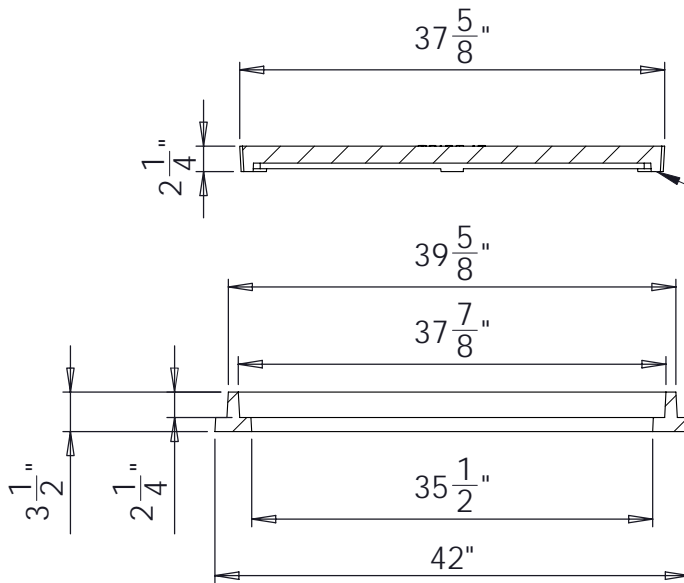
PHONE: (619) 956-2780 FAX: (619) 956-2788

C4172-DI / C4170

38x38 FRAME AND GRATE
BICYCLE PROOF
TRAFFIC RATED



BICYCLE PROOF SLOTS



1/4" THICK LEVELING PADS
TYP OF 8

SECTION A-A

GENERAL INFORMATION

- *FRAME MATERIAL: GREY CAST IRON ASTM A48 CLASS 30B
- *GRATE MATERIAL: DUCTILE IRON ASTM A536 CLASS 80-55-06
- *FINISH: DIPPED IN BLACK BITUMINOUS PAINT
- *MEETS H-20 WHEEL LOAD REQUIREMENTS

APPROVED

BY:

TITLE:

AGENCY:

DATE:

4/16/2012