



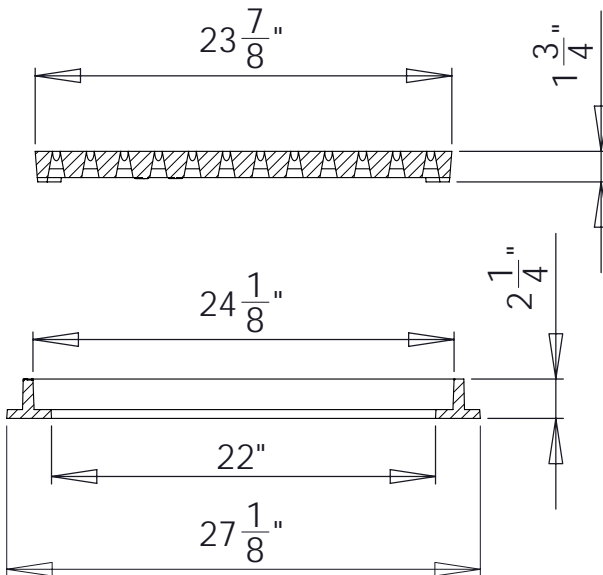
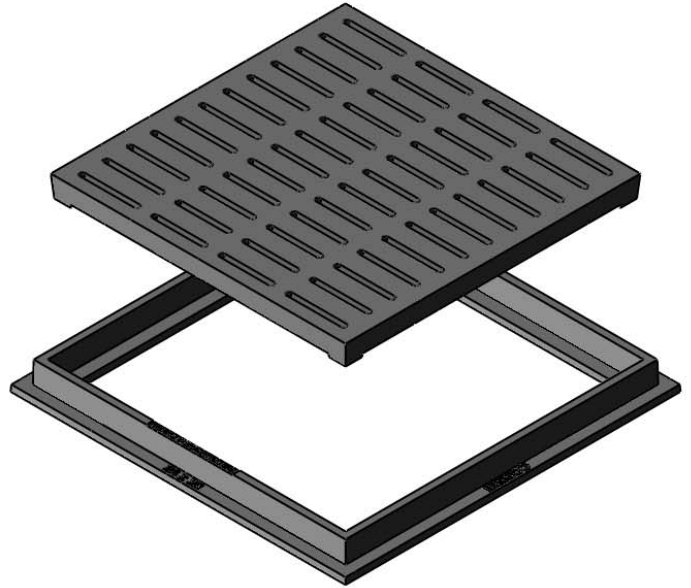
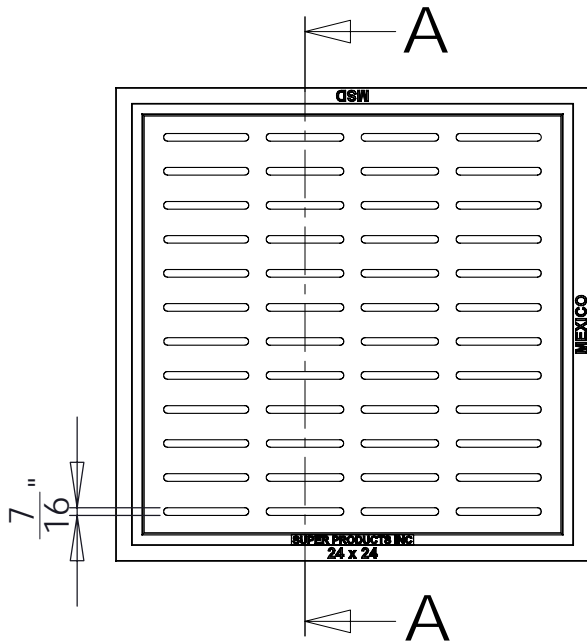
**South Bay Foundry**

WWW.SOUTHBAYFOUNDRY.COM

PHONE: (619) 956-2780 FAX: (619) 956-2788

**SBF C4130-F/C4132-F**

24 x 24 TRAFFIC RATED ADA  
FRAME AND GRATE



SET WEIGHT	
FRAME	66 LB
GRATE	138 LB
TOTAL	204 LB

**SECTION A-A**

**GENERAL INFORMATION**

- \*MATERIALS CONFORM TO ASTM A48 CLASS 35B
- \*CASTINGS SHALL BE DIPPED IN BLACK BITUMINOUS PAINT
- \*FRAME AND GRATE MEETS H-20 WHEEL LOADING
- \*APPROXIMATE OPEN FLOW AREA: 95.8 SQ IN

APPROVED

BY:

TITLE:

AGENCY:

DATE: