



TRITON FILTER™

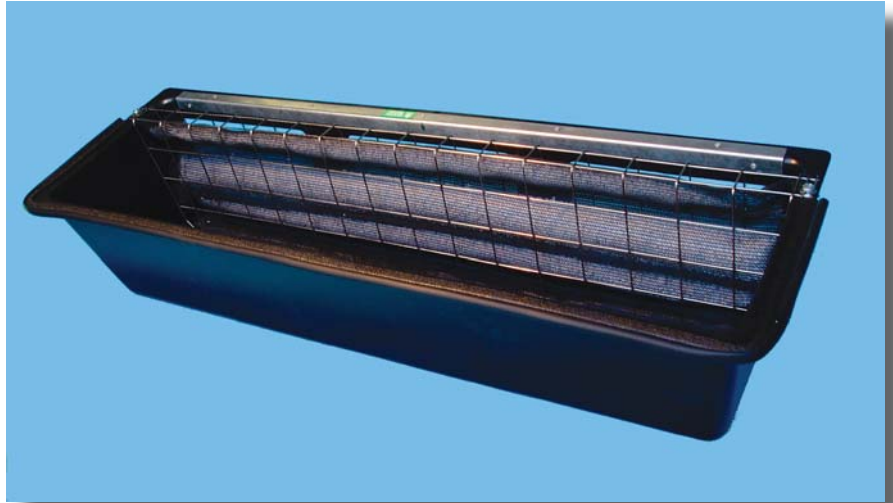
Product

Specification

CURB INLET FILTER INSERT

THE TRITON FILTER

- Non-reactive High Impact Polystyrene Plastic construction with U.V. inhibitors.
- Over 40 percent of the plastic used comes from recycled content.
- Filter Media-Pak available for the removal of hydrocarbons, metals, sand, silt, and litter.
- Disposable Media-Pak is constructed from durable geotextile polypropylene fabric.
- Optional StormWeb™, polypropylene system designed to assist in the removal of trash and debris, in compliance with TMDL requirements.
- Media-Pak may be removed through the curb opening for ease of maintenance.
- Media is nonhazardous, per EPA and OSHA standards.
- Patent Pending design with high nominal flow and high overflow capacities.
- Easy to install in new and existing curb inlets.
- Meets Best Available Technology (BAT) for use in Stormwater Best Management Practices (BMP).
- Maintenance contracts, including recycling of all spent absorbents are available through REM Service Department.
- Servicing of filters on a regular basis is a requirement to meet most local and state BMP's.



MODEL TRC3.5

TRITON CURB INLET FILTER INSERT

REM has developed the TRITON CURB Inlet Filter Insert to help eliminate hydrocarbons and other contaminants such as metals, sand, silt and litter from stormwater runoff.

The TRITON Curb Inlet is designed to be inserted below the street/curb opening of storm drain inlets.

Patent Pending

REM - HELPING KEEP YOUR WATERWAYS CLEAN

The most recent National Water Quality Inventory reports that runoff from urban areas is the leading source of impairments to surveyed estuaries and the third largest source of water quality impairments to surveyed lakes. In addition, population and development trends indicate that by 2010 more than half of the Nation will live in coastal towns and cities. Runoff from these rapidly growing urban areas will continue to degrade coastal waters.¹

¹Environmental Protection Agency's Office of Water EPA841-F-96-004G

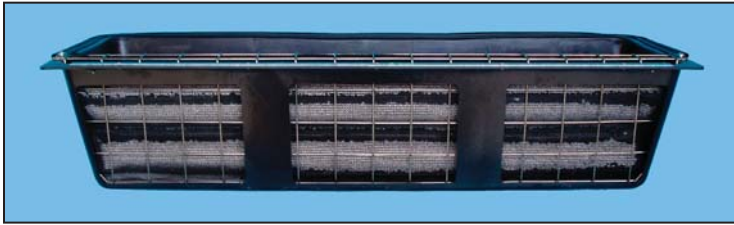
Revel Environmental Manufacturing, Inc.

www.remfilters.com

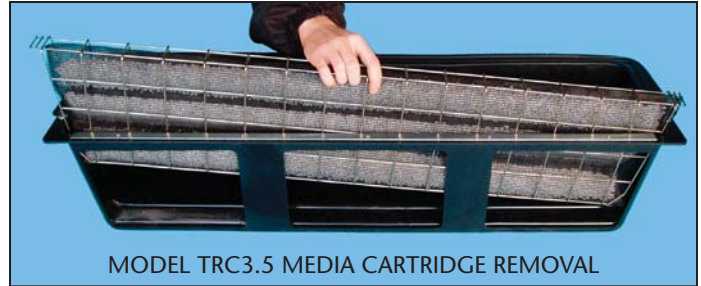
888-526-4736



TRITON FILTER™ CURB INLET INSERT



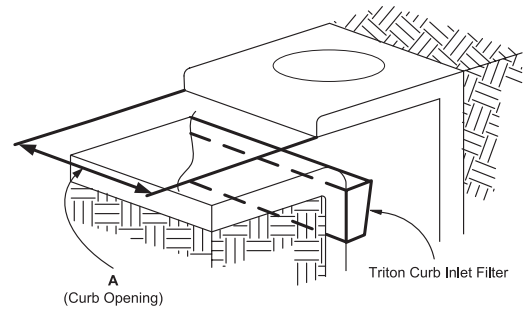
MODEL TRC3.5



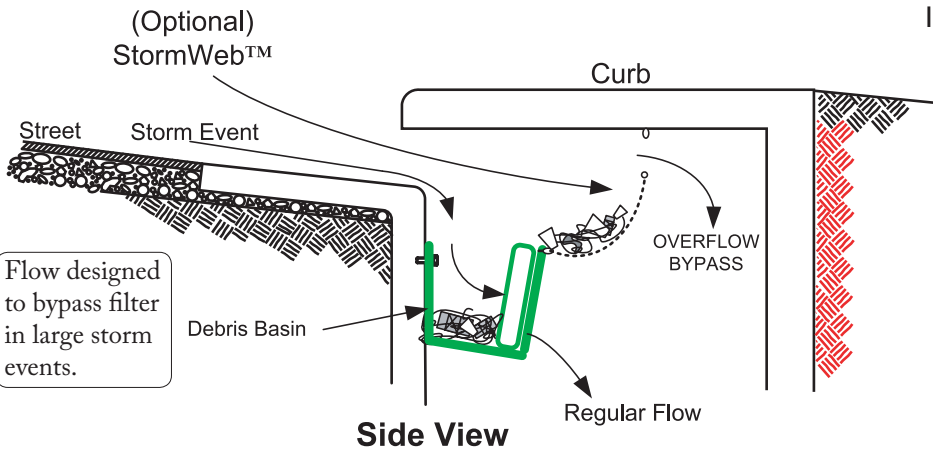
MODEL TRC3.5 MEDIA CARTRIDGE REMOVAL



MODEL TRC3.5 - LITTER ONLY



INSTALLED ISOMETRIC VIEW



Flow designed to bypass filter in large storm events.

STANDARD DIMENSIONS

MODEL	A (CURB OPENING)
TRC2	2.00
TRC2.5	2.50
TRC3	3.00
TRC3.5	3.50
TRC4	4.00
TRC5	5.00
TRC6	6.00
TRC7	7.00
TRC8	8.00
TRC9	9.00
TRC10	10.00
TRC12	12.00
TRC14	14.00
TRC21	21.00
TRC28	28.00

NOTES:

1. All dimensions are in feet. Custom sizes also available.
2. Filter is constructed of High Impact Polystyrene Plastic, with U.V. inhibitors. Over 40% recycled content.
3. Disposable Media-Pak is constructed of durable geotextile fabric, woven with perforated polypropylene.
4. Media-Pak cage is constructed using 8 gauge Type 304 Stainless Steel.
5. Filter body is secured to inside wall using (2) 1/4" thick brackets per section, attached using 3/8" x 3" expansion anchor bolts.
6. Optional StormWeb™, designed for capturing larger trash and debris.
7. Filter media is non-hazardous per EPA and OSHA standards.
8. Filter shall be installed and maintained in accordance with manufacturer recommendations.
9. Please refer to manufacturer recommendations for an approved maintenance program.

Distributed By:



Revel Environmental Manufacturing Inc.

sales@remfilters.com (888) 526-4736 Lic. No. 857410

Northern California
960-B Detroit Avenue
Concord, California 94518
P: (925) 676-4736
F: (925) 676-8676

Southern California
2110 South Grand Avenue
Santa Ana, California 92705
P: (714) 557-2676
F: (714) 557-2679

South Bay Foundry
phone: 619-956-2780
fax: 619-956-2788
<http://www.southbayfoundry.com>