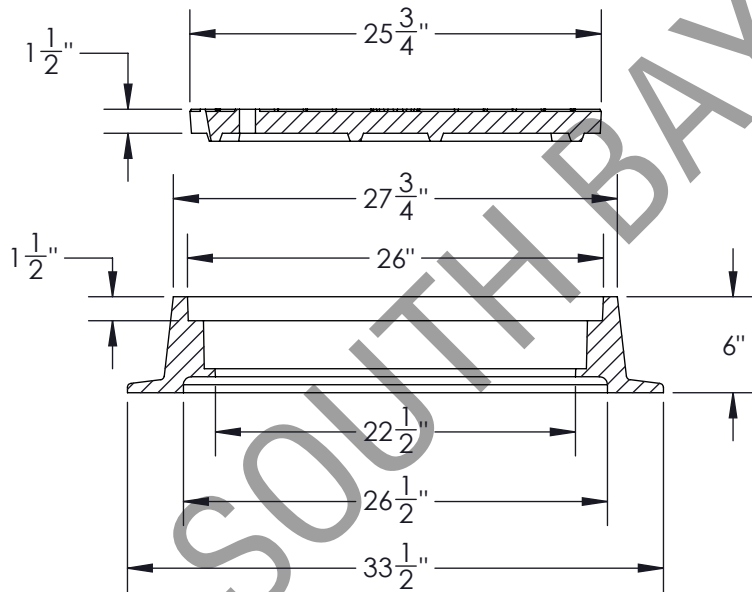
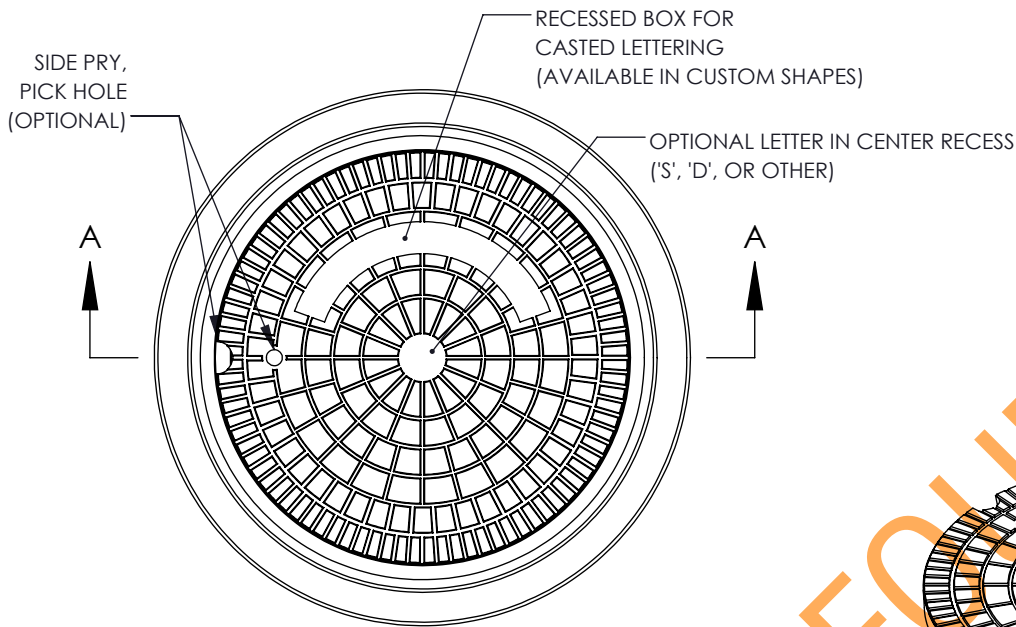
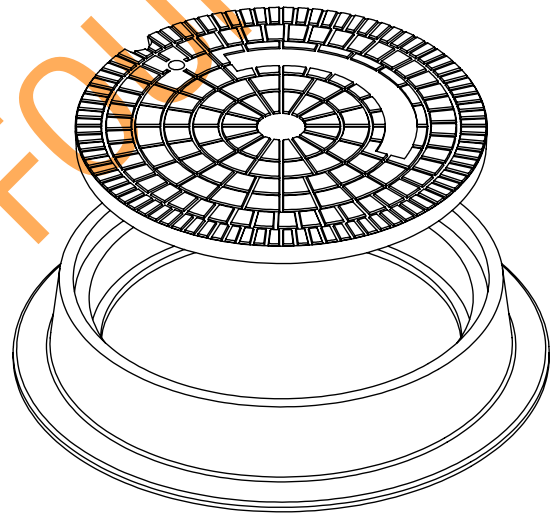


ITEM	ID#
FRAME	A1170-RX
COVER	A1170-XX



SECTION A-A



GENERAL INFORMATION:

- 1) MATERIAL - ASTM A48 CLASS 35B.
- 2) FINISH - DIPPED IN BLACK BITUMINOUS PAINT.
- 3) LOAD RATING - FRAME AND COVER EXCEED H-20 WHEEL LOADING.
- 4) MULTIPLE COVER FEATURES AVAILABLE, INCLUDING SIDE PRY, PICK HOLE, CLOSED PICK HOLE, BOLT-DOWN, NEOPRENE SEALED, OR ANY COMBINATION THEREOF.
- 5) COVER MARKINGS AVAILABLE FOR "SEWER", "STORM DRAIN", VARIOUS AGENCIES, & OTHERS. CUSTOM MARKINGS AVAILABLE UPON REQUEST.

NO.	REVISIONS	DATE	BY



SBF 1170

22¹/₂" MANHOLE FRAME & COVER

GENERIC DRAWING

SOUTH BAY FOUNDRY

895 S. INLAND CENTER DR. SAN BERNARDINO, CA 92408

PHONE 909-383-1823

www.southbayfoundry.com

THE INFORMATION CONTAINED IN THIS DRAWING IS THE SOLE PROPERTY OF SOUTH BAY FOUNDRY. ANY REPRODUCTION IN PART OR AS A WHOLE WITHOUT THE WRITTEN PERMISSION OF SOUTH BAY FOUNDRY IS PROHIBITED.

SCALE: NTS
SHEET: 1 OF 1