



**SOUTH BAY FOUNDRY**

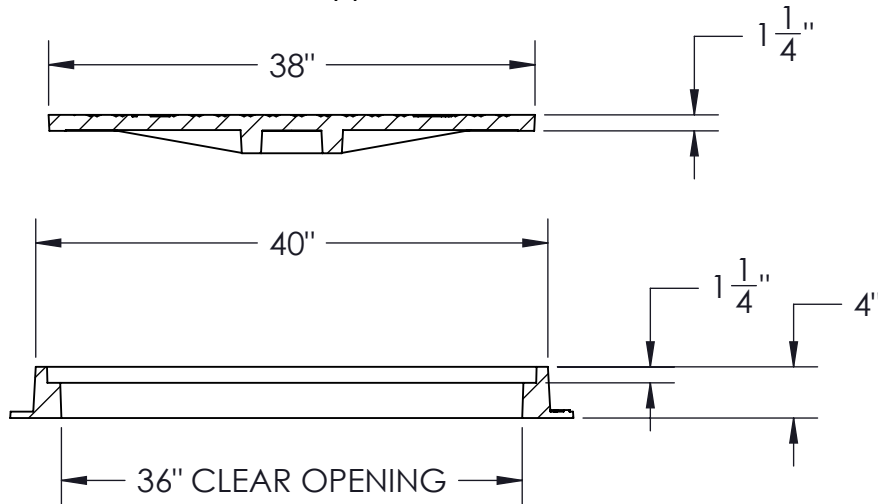
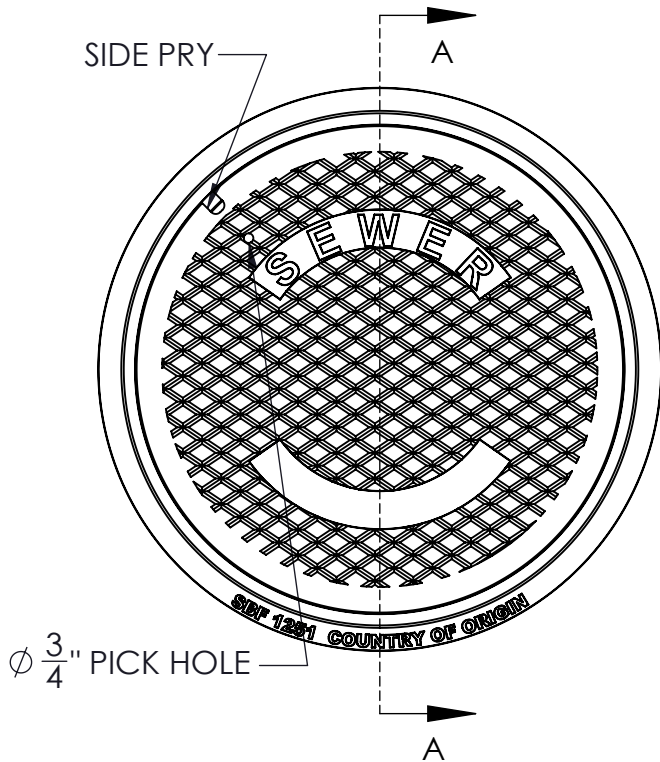
WWW.SOUTHBAYFOUNDRY.COM

PHONE: (619) 956-2780

FAX: (619) 956-2788

**SBF 1251**

36" MANHOLE  
FRAME AND COVER  
SEWER



SECTION A-A

SET WEIGHT	
FRAME	257 LB
COVER	344 LB
TOTAL	601 LB

**GENERAL INFORMATION**

- \*MATERIALS CONFORM TO ASTM A48 CLASS 35B
- \*BEARING SURFACES MACHINED FOR CLOSE, QUIET FIT
- \*CASTINGS SHALL BE DIPPED IN BLACK BITUMINOUS PAINT
- \*FRAME AND COVER EXCEEDS H-20 WHEEL LOADING

**PROPRIETARY AND CONFIDENTIAL**

THE INFORMATION CONTAINED IN THIS DRAWING IS THE SOLE PROPERTY OF SOUTH BAY FOUNDRY INC. ANY REPRODUCTION IN PART OR AS A WHOLE WITHOUT THE WRITTEN PERMISSION OF SOUTH BAY FOUNDRY INC. IS PROHIBITED.

ID#: A3200/A3214

APPROVED:

DATE:

AGENCY  
SEWER