



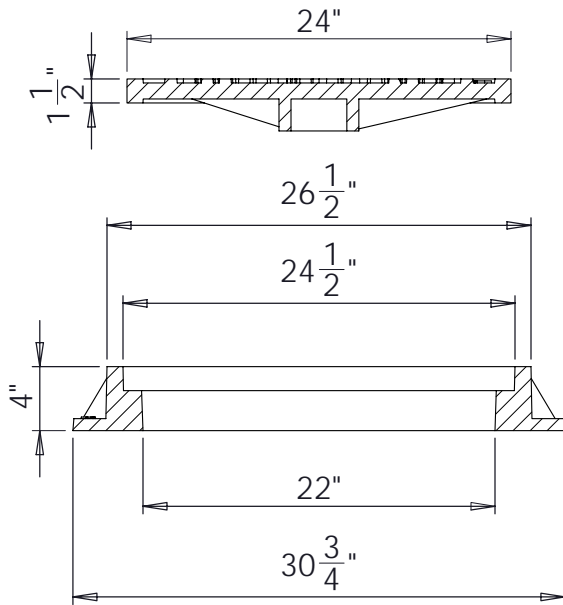
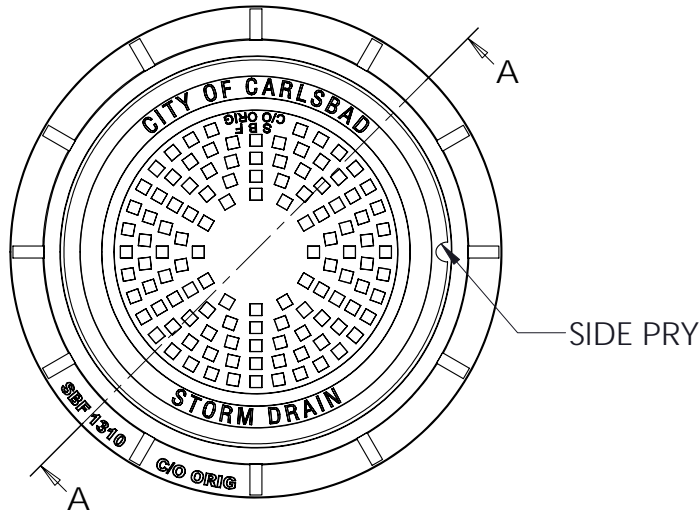
# South Bay Foundry

WWW.SOUTHBAYFOUNDRY.COM

PHONE: (619) 956-2780 FAX: (619) 956-2788

## SBF 1310

22" MANHOLE  
FRAME AND COVER  
CITY OF CARLSBAD STORM DRAIN



SECTION A-A

| SET WEIGHT |        |
|------------|--------|
| FRAME      | 175 LB |
| COVER      | 155 LB |
| TOTAL      | 330 LB |

A1000 / A1028

### GENERAL INFORMATION

- \*MATERIAL: GREY CAST IRON ASTM A48 CLASS 30B
- \*BEARING SURFACES MACHINED FOR CLOSE, QUIET FIT
- \*FINISH: DIPPED IN BLACK BITUMINOUS PAINT
- \*MEETS H-20 WHEEL LOAD REQUIREMENTS

### APPROVED

BY:

TITLE:

AGENCY:

DATE:

9/17/2012