



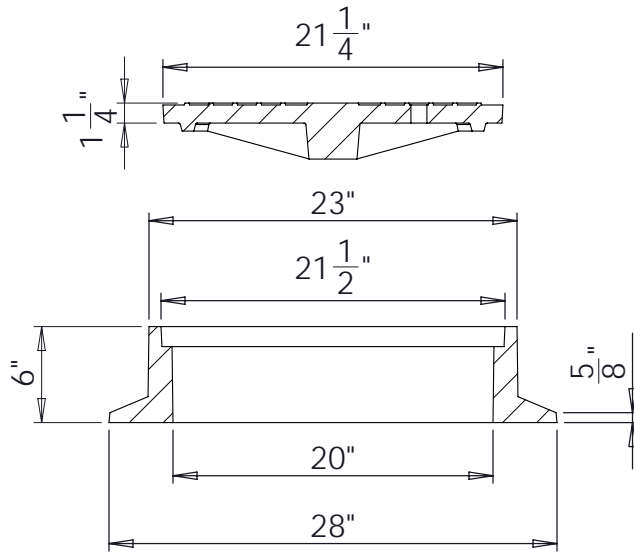
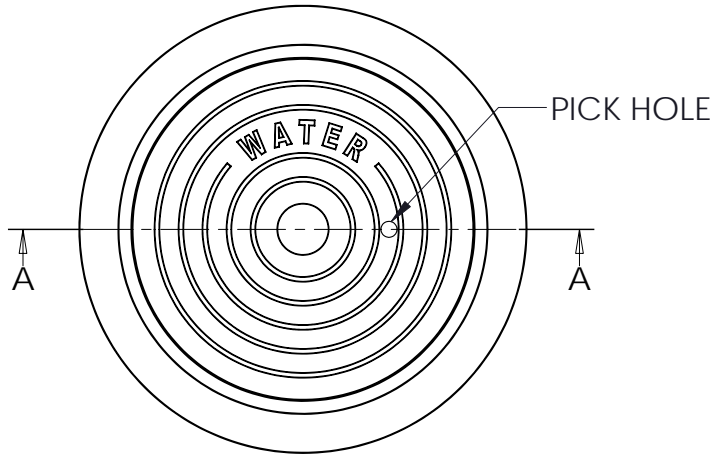
# South Bay Foundry

WWW.SOUTHBAYFOUNDRY.COM

PHONE: (619) 956-2780 FAX: (619) 956-2788

**SBF 1316**

20" MANHOLE  
FRAME AND COVER  
WATER



SECTION A-A

ID#	A6830	A6834	
SIZE	20" (F)	21-1/4" (C)	TOTAL
WEIGHT	180 LB	160 LB	340 LB

**GENERAL INFORMATION**

- \*MATERIAL: GREY CAST IRON ASTM A48 CLASS 30B
- \*BEARING SURFACES MACHINED FOR CLOSE, QUIET FIT
- \*FINISH: DIPPED IN BLACK BITUMINOUS PAINT
- \*MEETS H-20 WHEEL LOAD REQUIREMENTS

**APPROVED**

BY:

TITLE:

AGENCY:

DATE: