



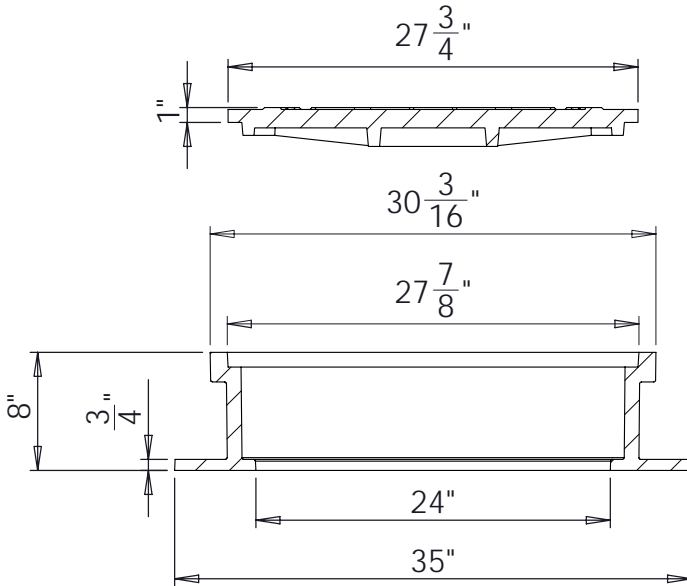
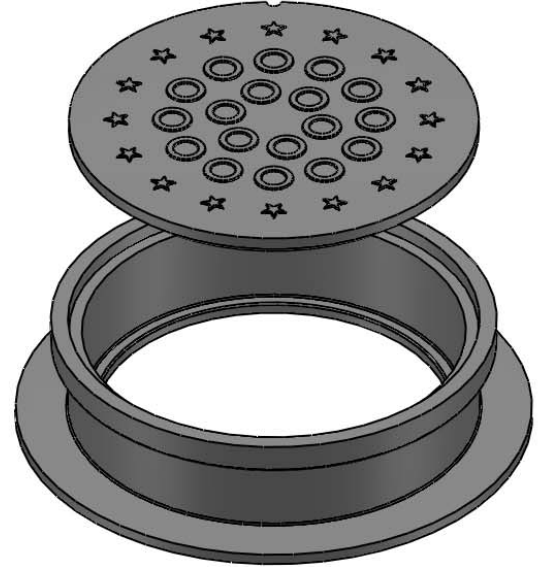
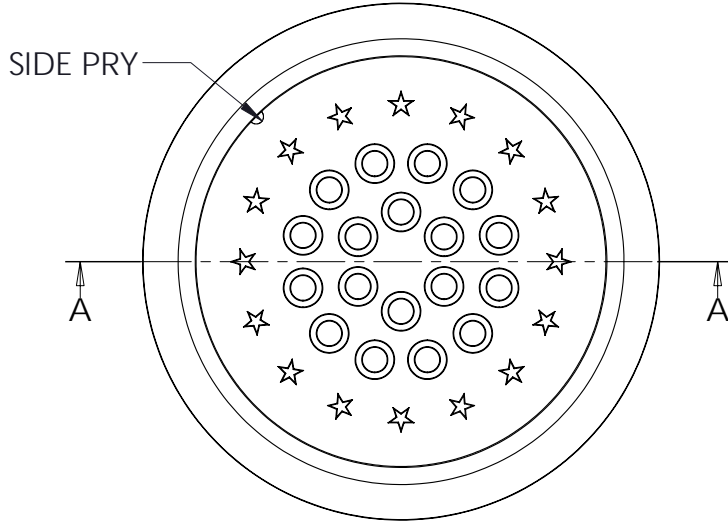
# South Bay Foundry

WWW.SOUTHBAYFOUNDRY.COM

PHONE: (619) 956-2780 FAX: (619) 956-2788

## SBF 1915

### 24" MANHOLE FRAME AND COVER



SECTION A-A

ID#	A5700	A5705
SIZE	24" (F)	27-3/4" (C)
WEIGHT	230 LB	195 LB

#### GENERAL INFORMATION

- \*MATERIAL: GREY CAST IRON ASTM A48 CLASS 30B
- \*BEARING SURFACES MACHINED FOR CLOSE, QUIET FIT
- \*FINISH: DIPPED IN BLACK BITUMINOUS PAINT
- \*MEETS H-20 WHEEL LOAD REQUIREMENTS

#### APPROVED

BY:

TITLE:

AGENCY:

DATE: