



South Bay Foundry

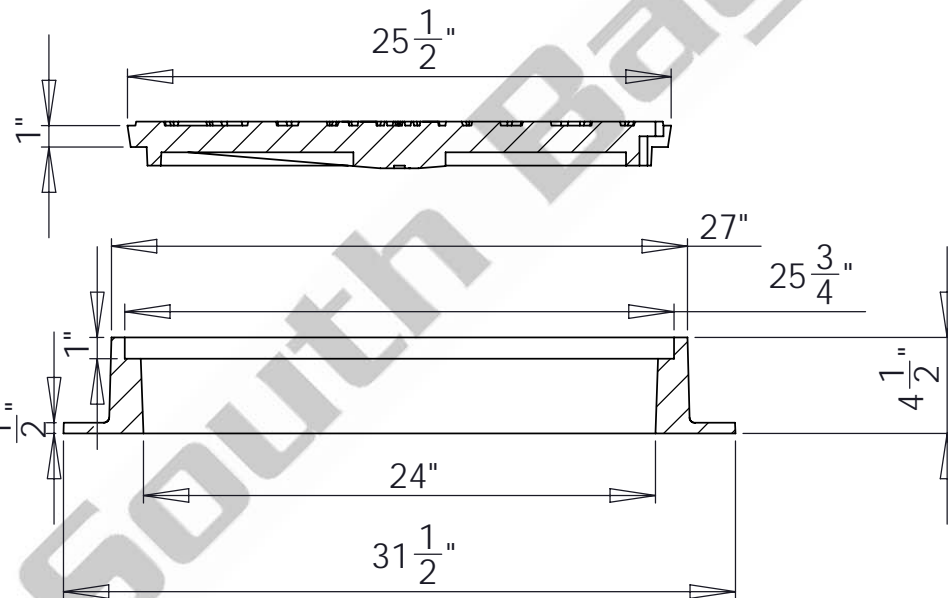
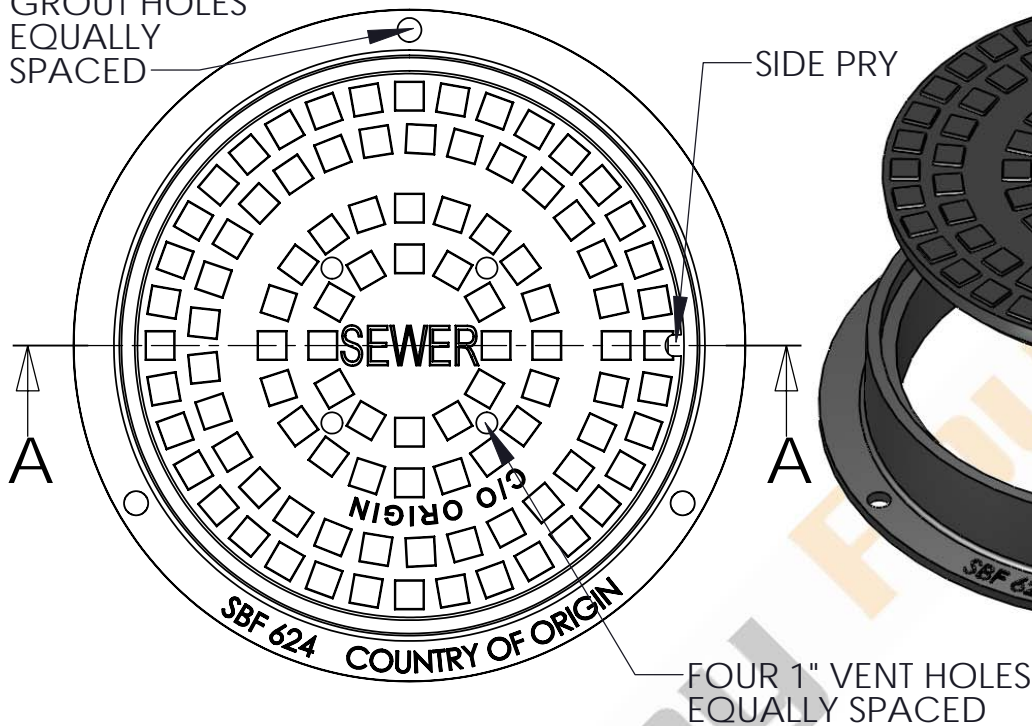
WWW.SOUTHBAYFOUNDRY.COM

PHONE: (619) 956-2780 FAX: (619) 956-2788

SBF 624 / 106

24" MANHOLE
FRAME AND COVER
SEWER

THREE 1 1/2"
GROUT HOLES
EQUALLY
SPACED



SECTION A-A

SET WEIGHT	
FRAME	158 LBS
COVER	136 LBS
TOTAL	294 LBS

GENERAL INFORMATION

- *MATERIALS CONFORM TO ASTM 48 CLASS 35B
- *FRAME AND COVER BEARING SURFACES MACHINED FOR CLOSE, QUIET FIT
- *CASTINGS ARE DIPPED IN BLACK BITUMINOUS PAINT
- *FRAME AND COVER EXCEEDS H-20 WHEEL LOADING

APPROVED

BY:

TITLE:

AGENCY:

DATE: