



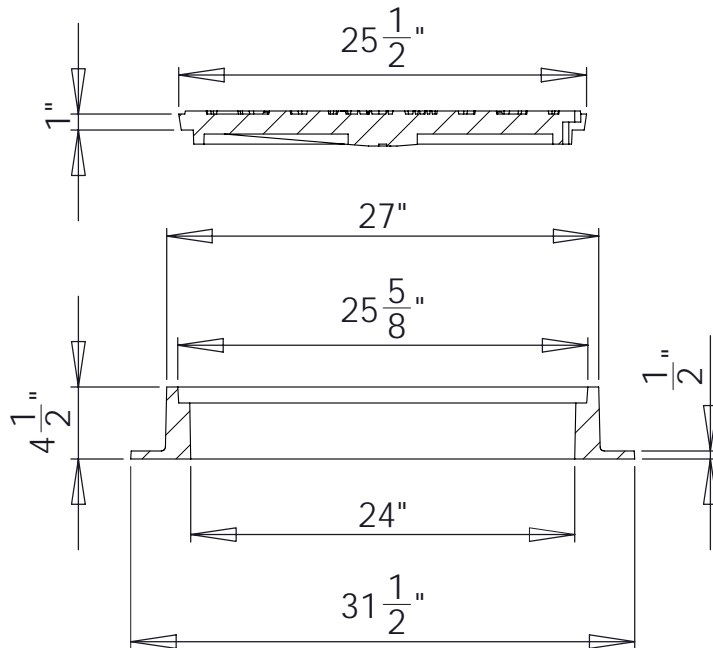
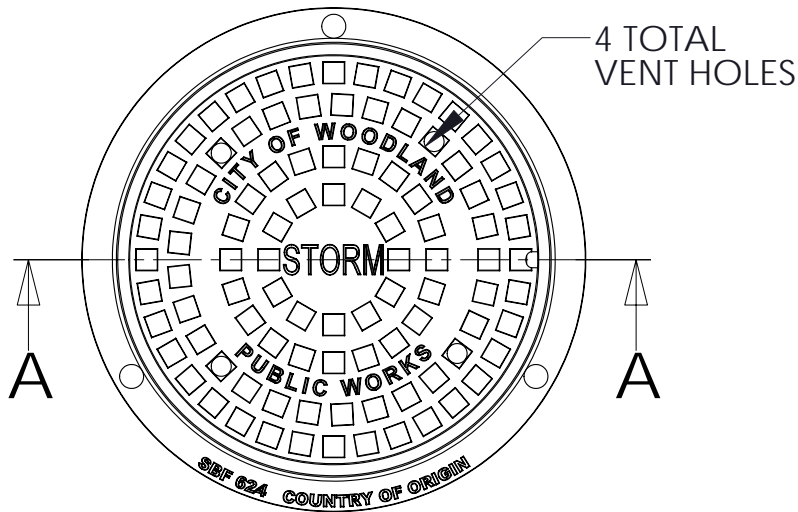
**South Bay Foundry**

WWW.SOUTHBAYFOUNDRY.COM

PHONE: (619) 956-2780 FAX: (619) 956-2788

**SBF 624 107**

24" MANHOLE  
FRAME AND COVER  
CITY OF WOODLAND STORM PW



SET WEIGHT	
FRAME	158 LB
COVER	136 LB
TOTAL	294 LB

**SECTION A-A**

**GENERAL INFORMATION**

- \*MATERIAL: GREY CAST IRON ASTM A48 CLASS 30B
- \*BEARING SURFACES MACHINED FOR CLOSE, QUIET FIT
- \*FINISH: DIPPED IN BLACK BITUMINOUS PAINT
- \*MEETS H-20 WHEEL LOAD

**APPROVED**

BY:

TITLE:

AGENCY:

DATE: