



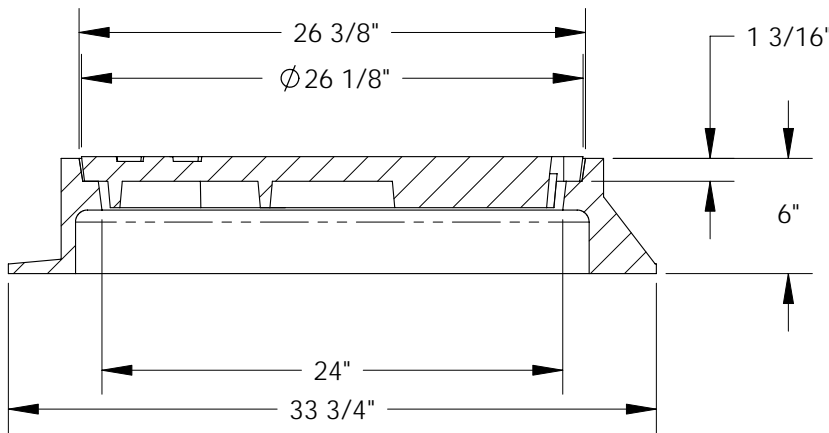
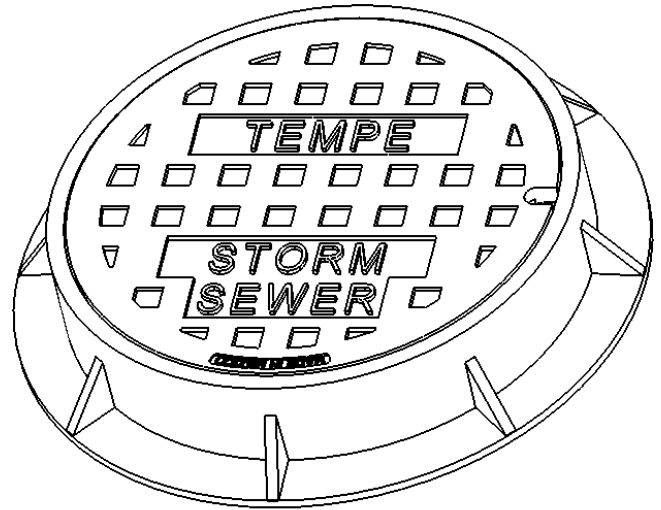
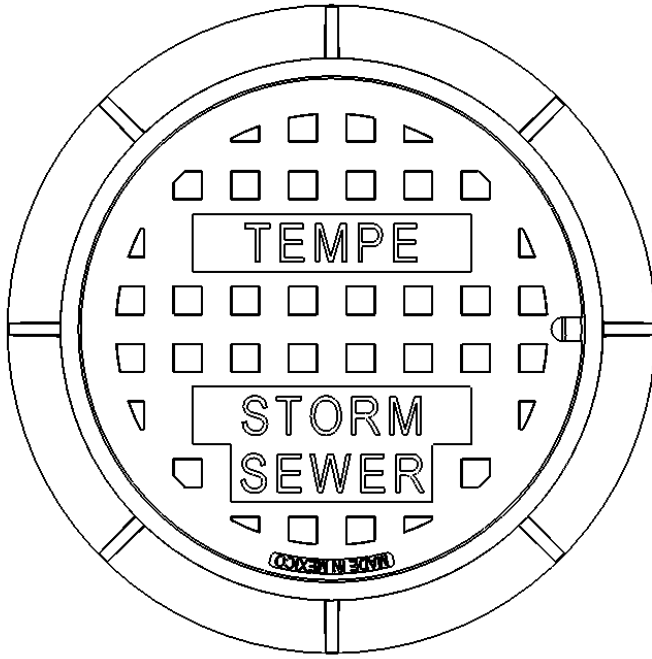
# South Bay Foundry

9444 Abraham Way  
42 North Cluff  
895 S. Inland Center Dr.

Santee, CA 92071  
Lodi, CA 95240  
San Bernardino, CA

(619) 956-2780  
(209) 367-1940  
(909) 888-3334

# SBF 1370 MANHOLE FRAME & COVER



### CLASS 35B

| Set Weight |         |
|------------|---------|
| Frame      | 170 Lbs |
| Cover      | 180 Lbs |
| Total      | 350 Lbs |

### General Information

- All materials used shall conform to ASTM A48, Class 35B, using wheel load test method to 48,700 lbs.
- Frame and cover bearing surfaces shall be machined to assure close, quiet fit.
- Castings shall conform to mag section 787 and detail No. 424.

| Approved |  |
|----------|--|
| By:      |  |
| Title:   |  |
| Agency:  |  |
| Date:    |  |
| Comments |  |
|          |  |
|          |  |